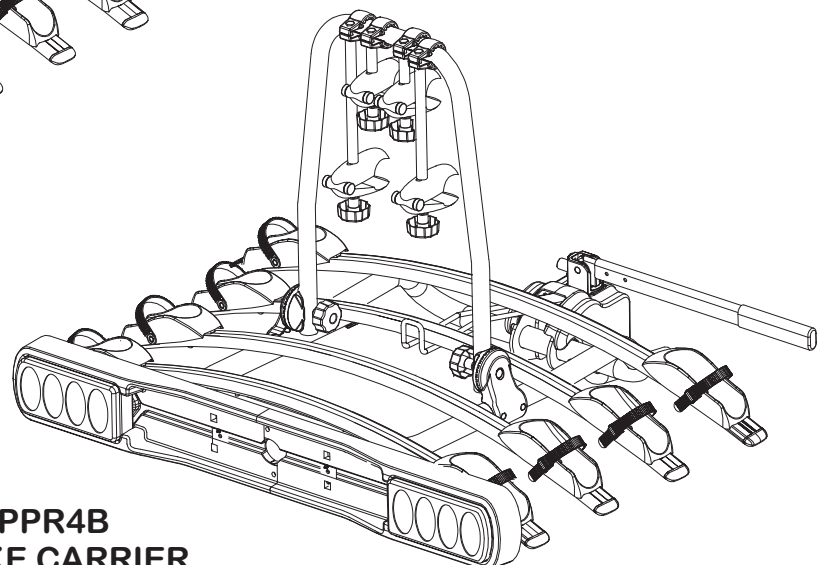
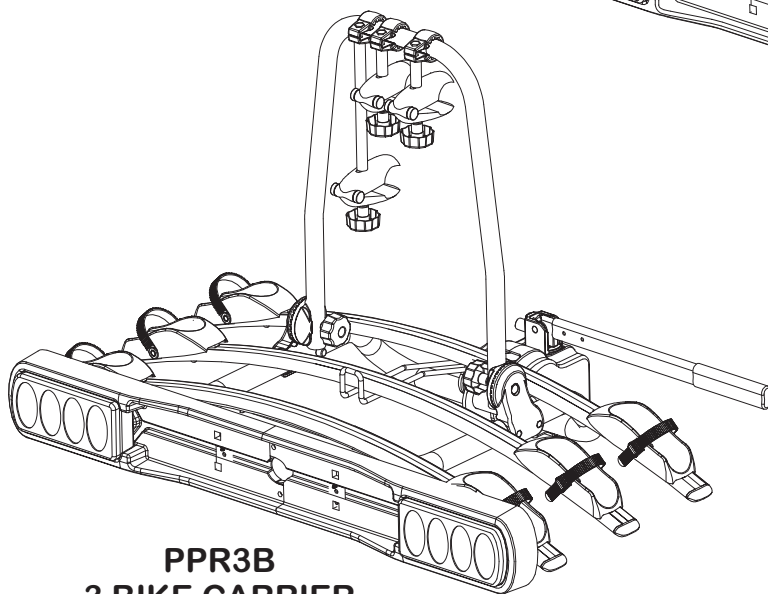
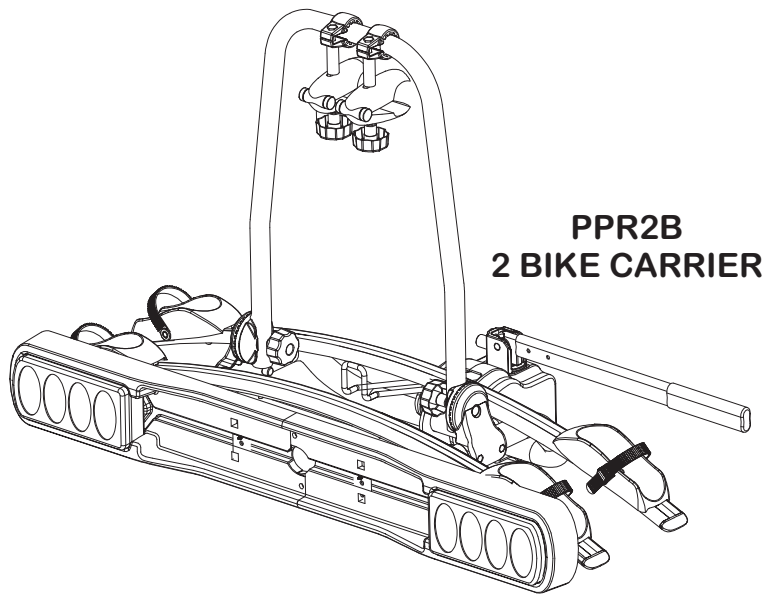


# PACIFIC

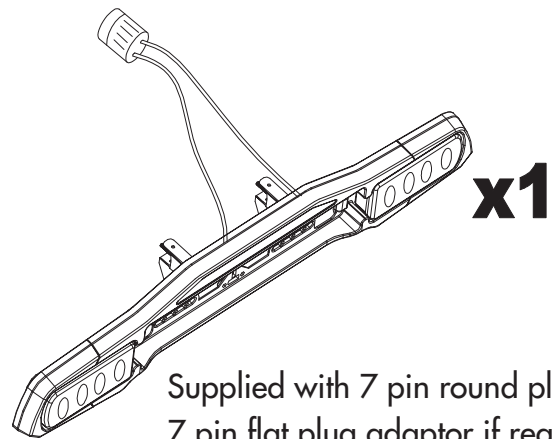
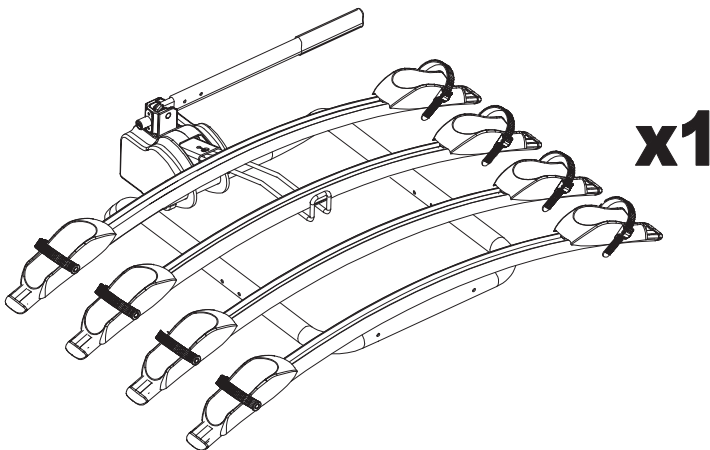
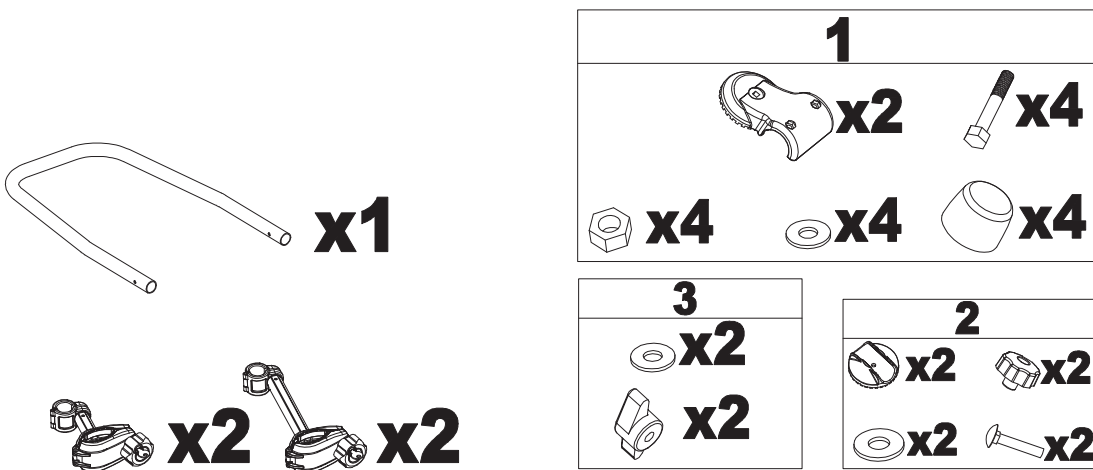
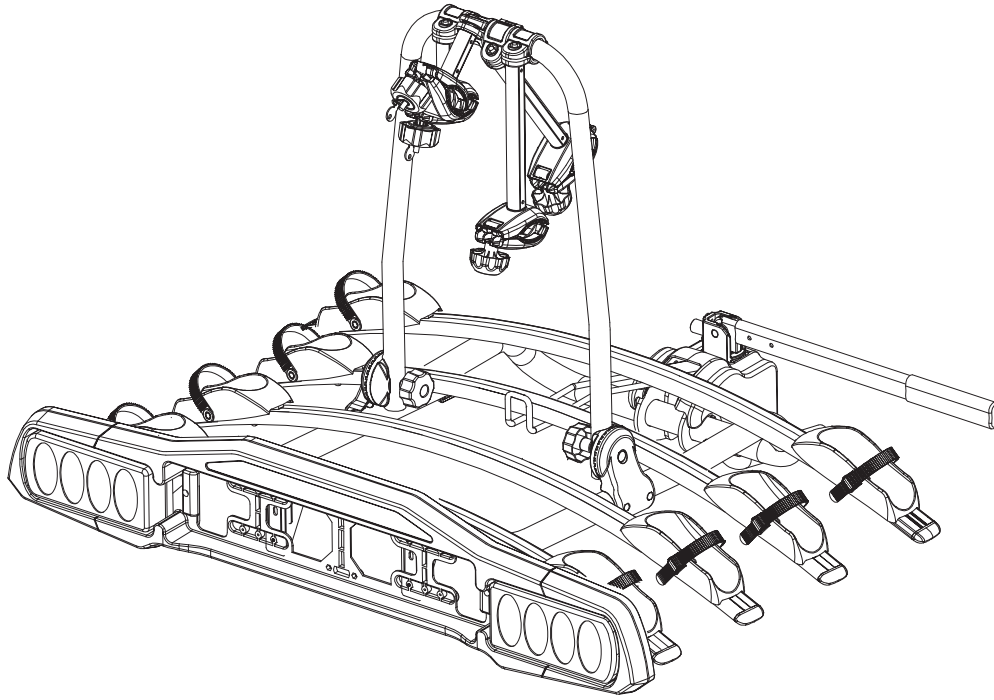
## PLATFORM BIKE CARRIER

### USERS MANUAL

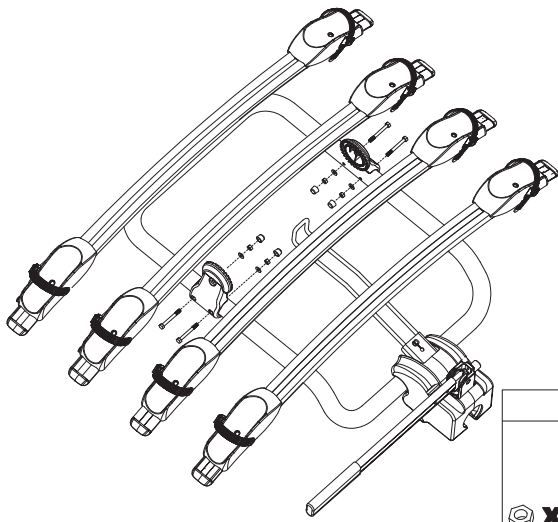







**Note: Lights have now been upgraded to LED**

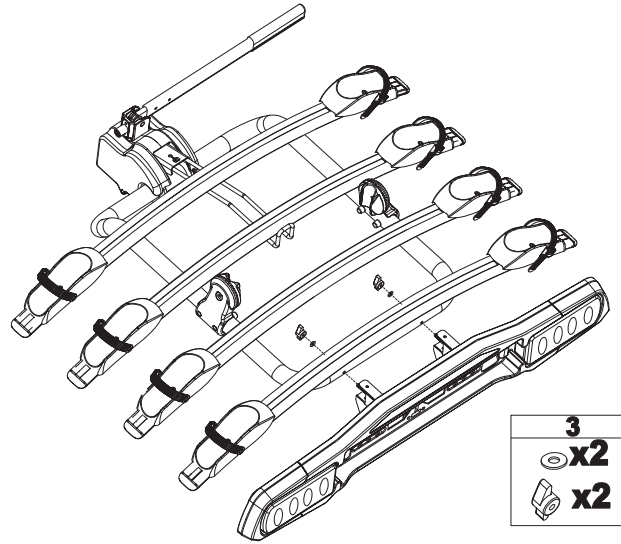
**4 Bike carrier (PPR4B) used for illustration purposes**





Supplied with 7 pin round plug and 7 pin flat plug adaptor if required.

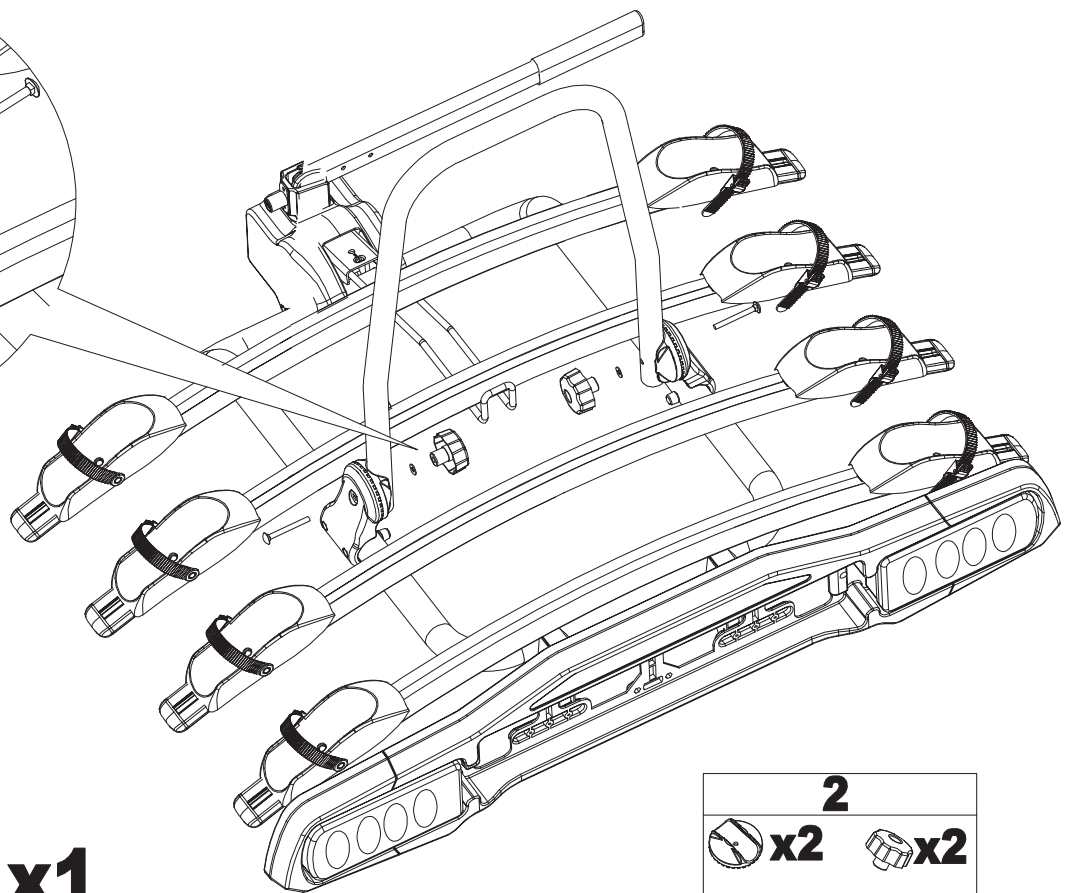
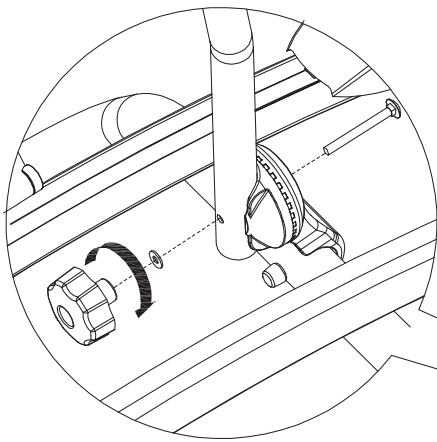






- |   |           |   |           |
|---|-----------|---|-----------|
| <b>1</b>  |           |   |           |
|  | <b>x2</b> |  | <b>x4</b> |
|  | <b>x4</b> |  | <b>x4</b> |
|  | <b>x4</b> |   |           |

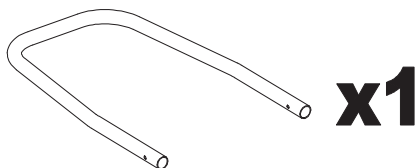


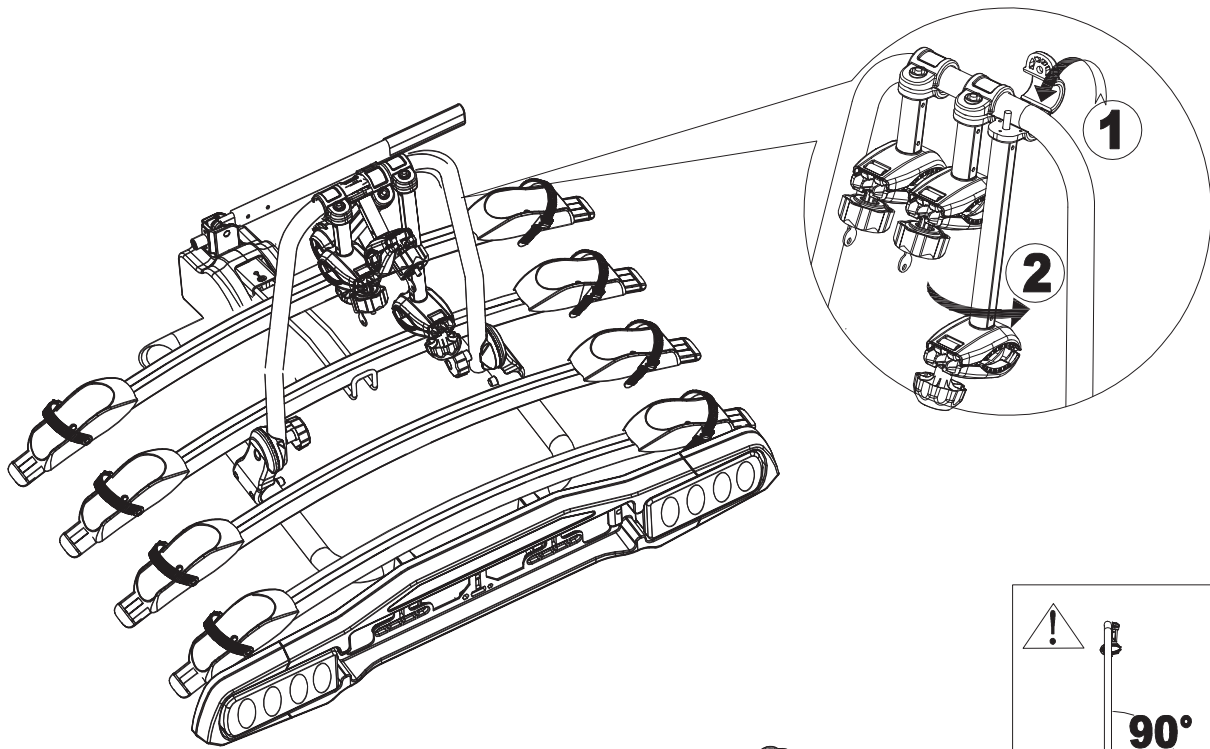
- |   |           |
|---|-----------|
| <b>3</b>  |           |
|  | <b>x2</b> |
|  | <b>x2</b> |

License plate can be fitted to light board

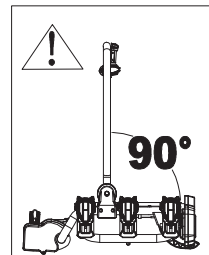


- |   |           |   |           |
|---|-----------|---|-----------|
| <b>2</b>  |           |   |           |
|  | <b>x2</b> |  | <b>x2</b> |
|  | <b>x2</b> |  | <b>x2</b> |

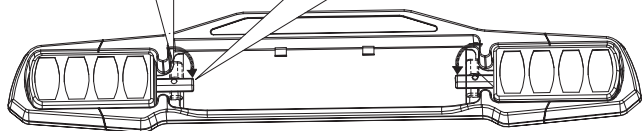
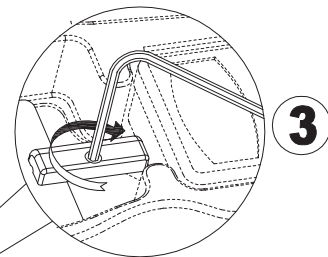
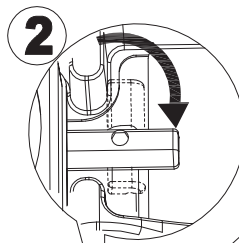
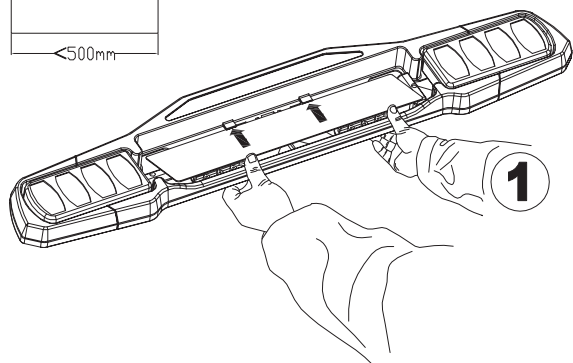




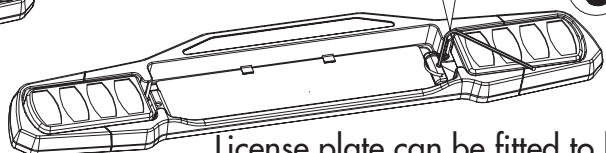
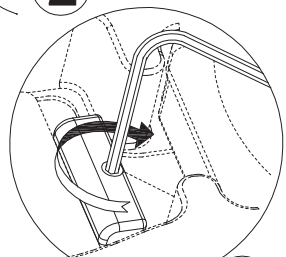
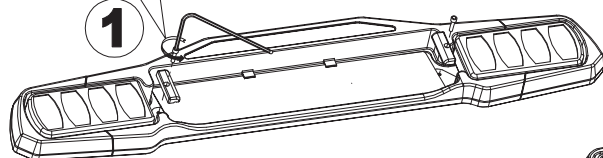
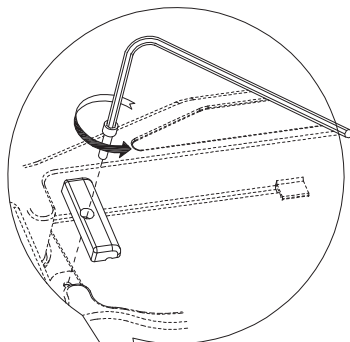
**x2** **x1**



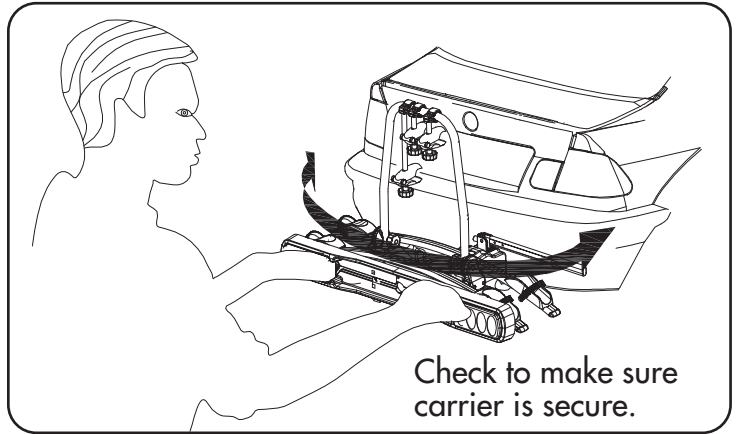
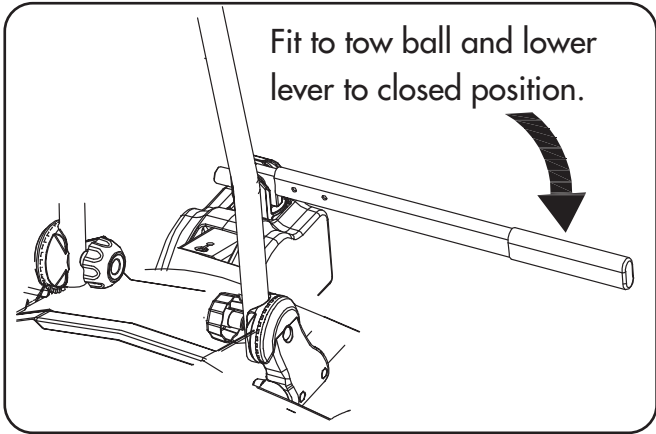
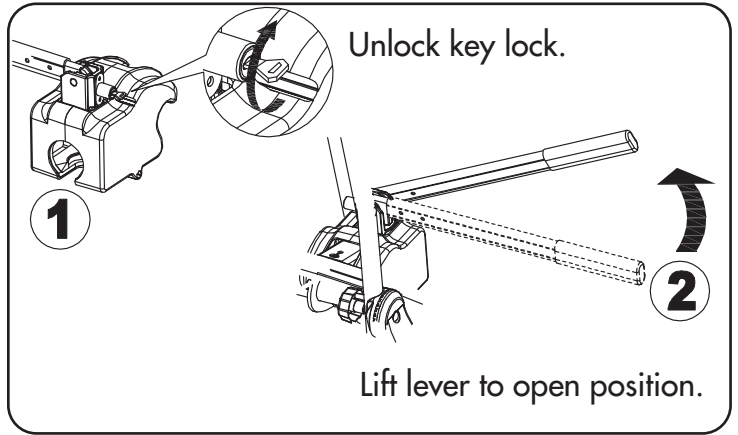
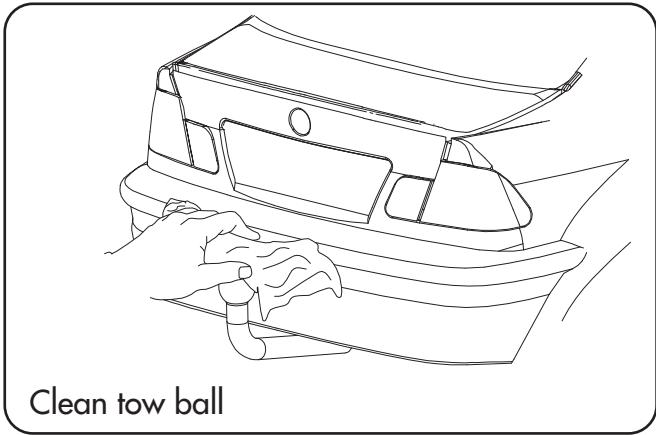
<500mm



>500mm

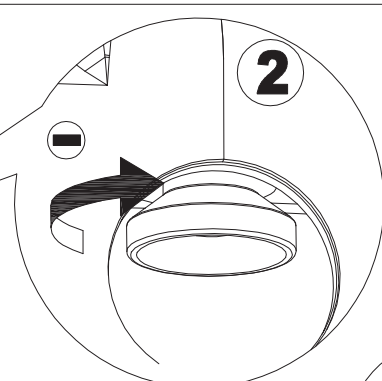
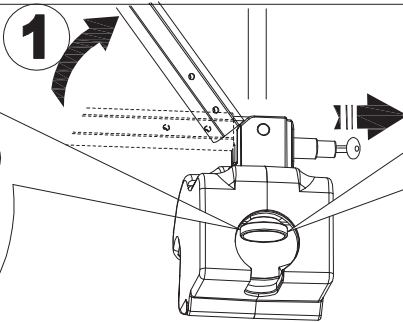
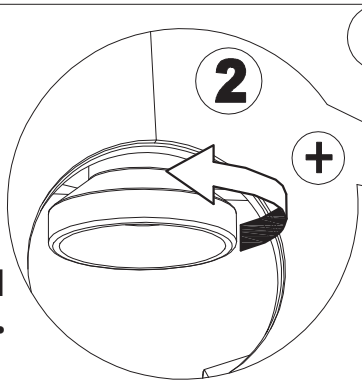


License plate can be fitted to light board

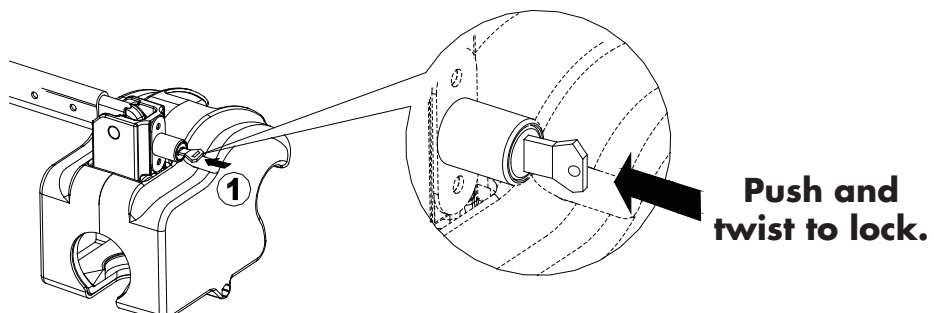
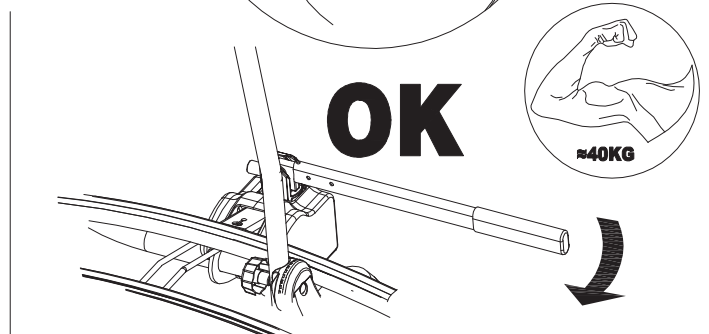


Tow ball bracket can be adjusted for a more secure fit.

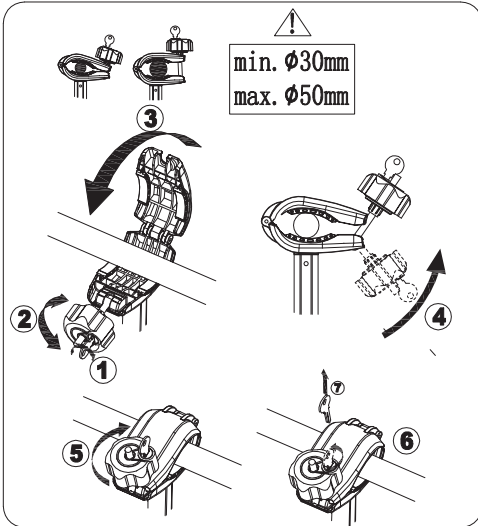
For a tighter fit on tow ball rotate cup in the indicated direction.



For a looser fit on tow ball rotate cup in the indicated direction.

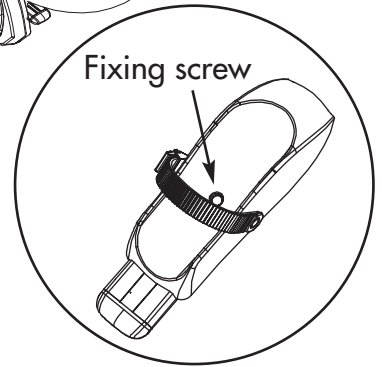
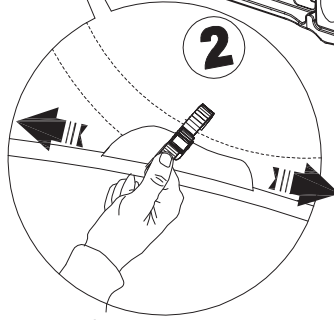
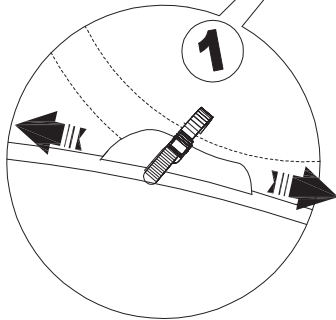
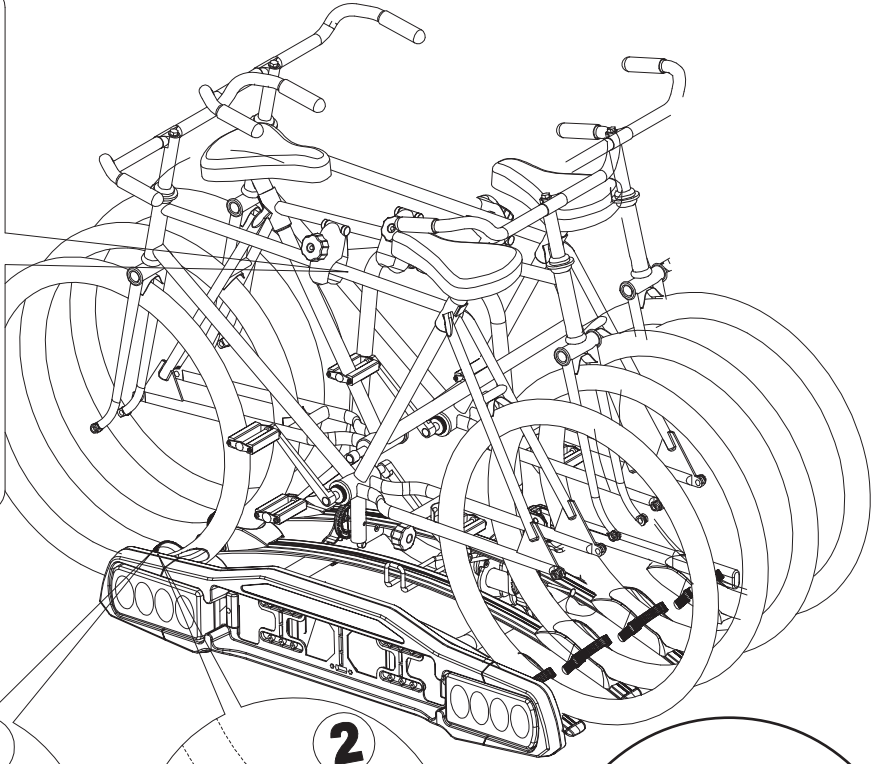






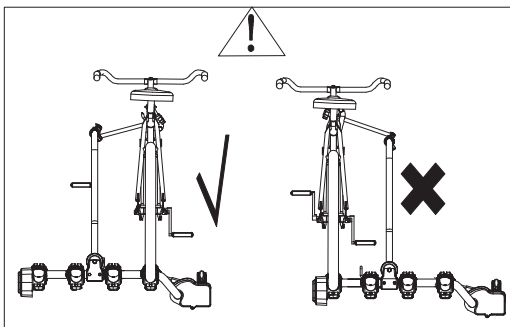
⚠  
min.  $\varnothing$ 30mm  
max.  $\varnothing$ 50mm

Frame tube diameter  
min  $\varnothing$  30mm  
max  $\varnothing$  50mm

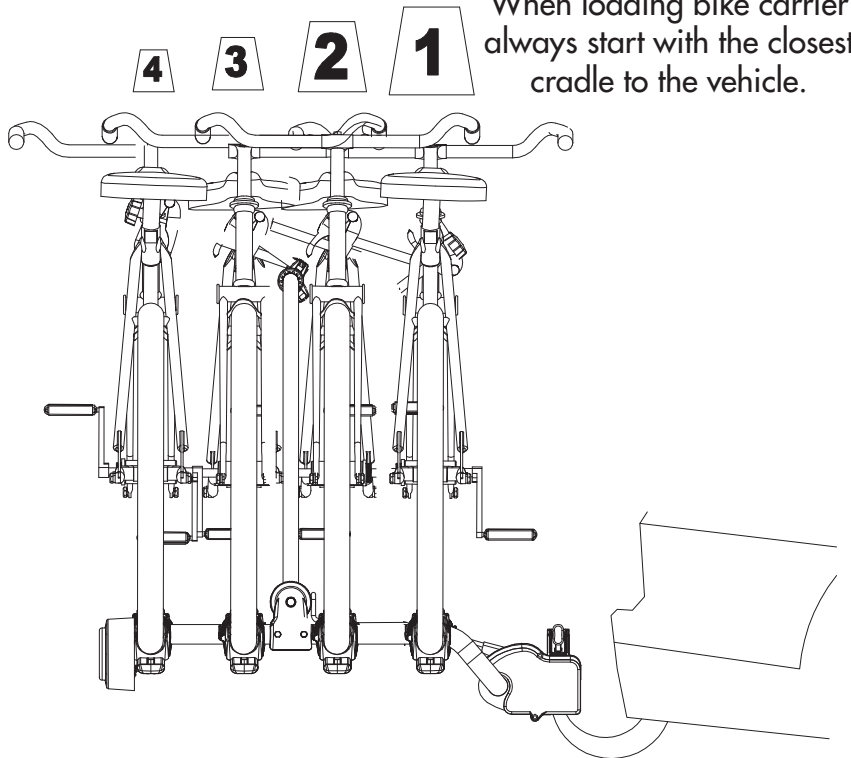






Adjust wheel cradle by loosening fixing screw. Then tighten once in desired position. Tighten straps firmly.

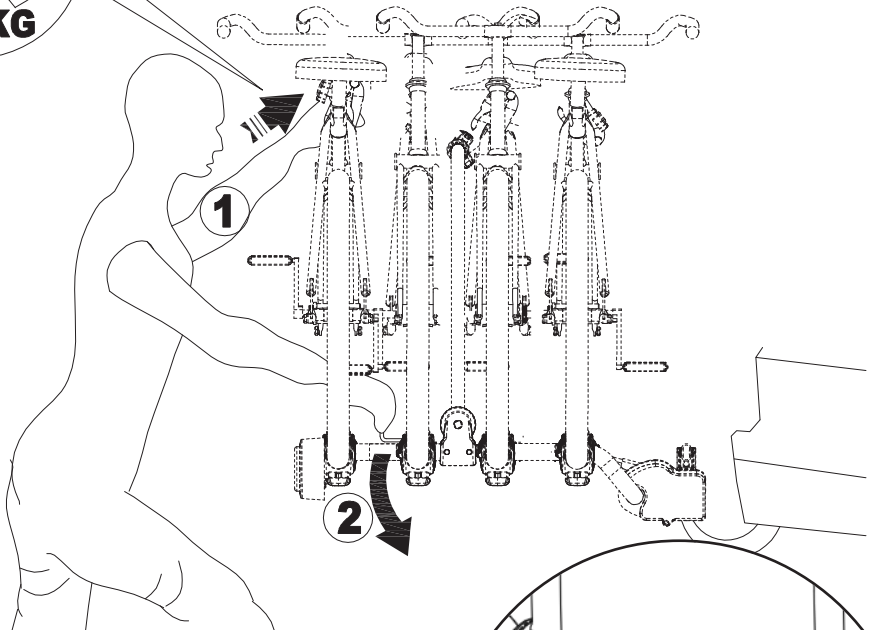
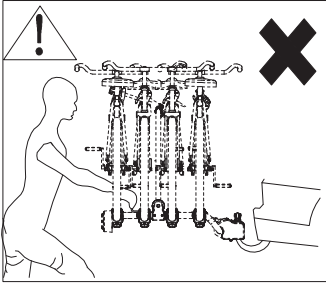
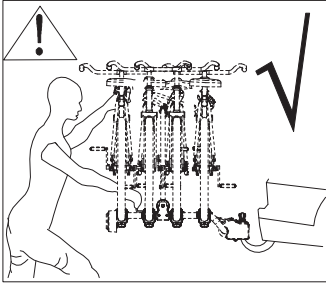
## Loading Procedure



When loading bike carrier always start with the closest cradle to the vehicle.



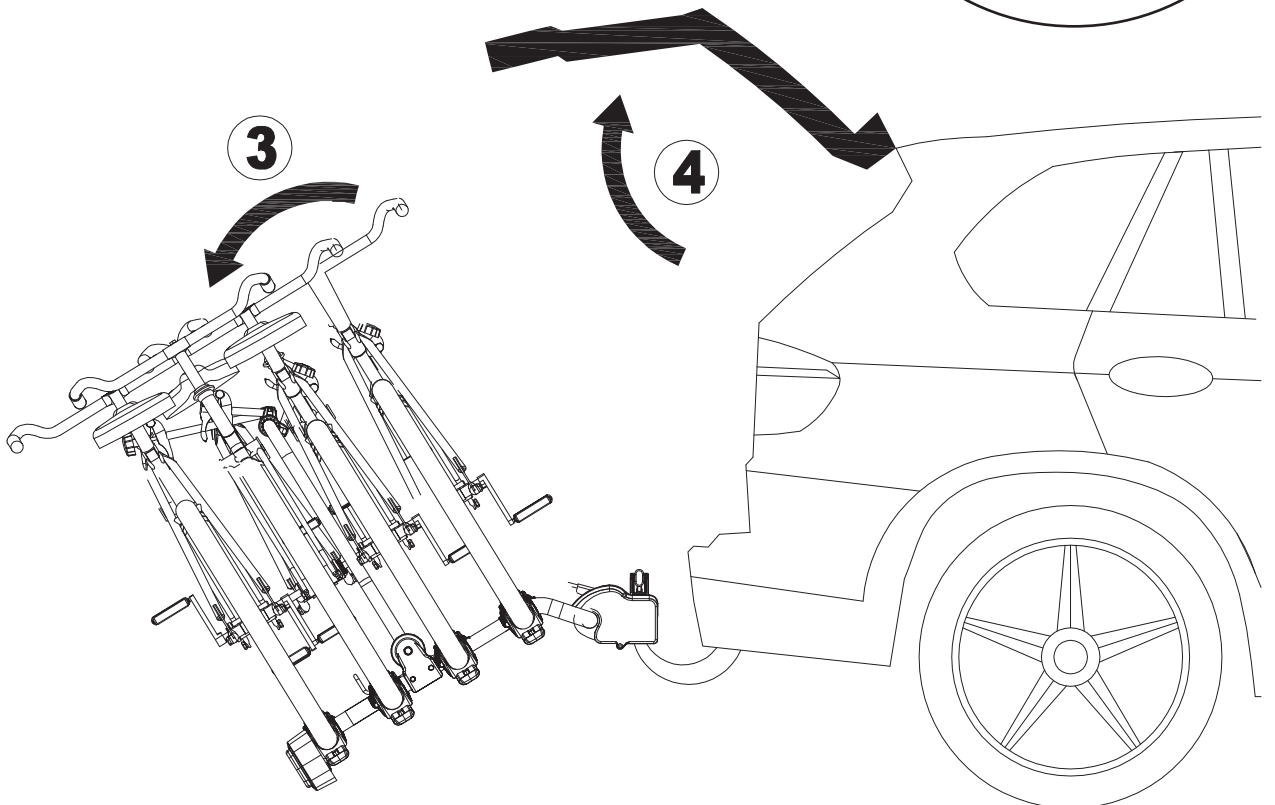
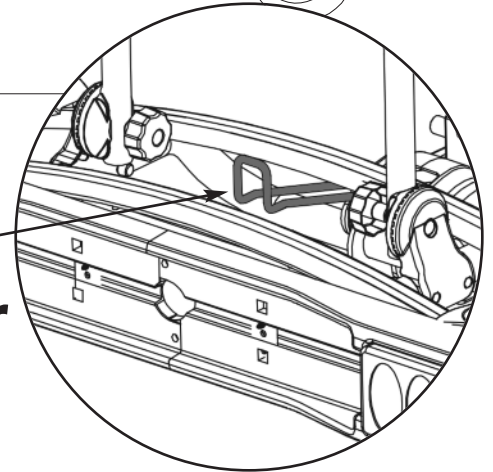
- 1**  =15kg MAX
- 2**  =15kg MAX
- 3**  =15kg MAX
- 4**  =15kg MAX



## How to tilt

1. Push bike towards vehicle
2. Press tilt lever.
3. Allow bikes to tilt back.

**Tilt lever**



# SAFETY

**Carefully read all of these instructions and safety recommendations before assembling and using this bike carrier.**

Total combined bike and rack weight must not exceed total rated maximum of tow ball.

Individual bike weight must not exceed 15kg.

Warning: Check the vehicle manufacturers' maximum axle load is not exceeded when the bikes are loaded onto the bike carrier.

Opening mechanism: Always make sure that the opening mechanism is closed and fastened.

Warning: Check the tow bar manufacturers' maximum bearing load recommendations for your tow bar are not exceeded when the bikes are loaded onto the carrier.

Warning: Ensure the bike carrier is securely fastened to the tow ball before use.

Warning: The bike carrier may partially or completely obscure the vehicles number plate.

Warning: Check the local laws in your state or territory regarding number plates for bike carriers.

Warning: Never exceed 120km/h when transporting bikes on this carrier.

Warning: Ensure bike carrier is well clear of the exhaust pipe of your vehicle.

Driving Tips With Bike Rack Fitted To Your Vehicle.

Avoid rapid acceleration.

Avoid high speeds in sharp turns.

Avoid high speeds when driving on rough road surfaces.

Check all fastening mechanisms, (screws, straps, nuts) regularly to ensure they are tight.

The bike carrier adds length and width to your vehicle. Use extreme caution when manoeuvring your vehicle in tight spaces, especially when reversing.

Turn off your vehicle and ensure the handbrake is on before fitting the carrier to your vehicle.

Do not clean the bike carrier with corrosive cleaners or solvents. Use a damp soft cloth to wipe it down. Remove the bike carrier from the vehicle before washing the vehicle. Do not enter an automatic car wash with the bike carrier attached to the vehicle.

To preserve screws please lubricate with oil.



Distributed in Australia by



[www.bikecorp.com.au](http://www.bikecorp.com.au)

P.O. Box 1620 Clayton South, Vic, 3169